

RL5 Electronic Control Unit

Microprocessor control unit for milk coolers

Model shown without optional washing function



Includes the following main functions :

- operator controls (Stop, Cooling On, Agitation On, Washing On),
- temperature measurement and display,
- temperature regulation,
- cooling control and monitoring,
- agitation control and monitoring.

Strong points of the RL5 controller :

- protection against sudden voltage fluctuations (programmable according to the mains supply) SERAP patented system,
- -20°C to 99.9°C cutoff point adjustment,
- restart differential adjustable to 0.5°C or 1°C ,
- agitator cycle setting in conservation mode (continuous, 2/13 min, 2/28 min, 2/58 min), - delayed start of cooling adjustable (from 0 to 60 min),
- digital data display (height 20 mm), active function and fault indication.

Display and regulation accuracy :

- 0.1°C from -9.9°C to 99.9°C .

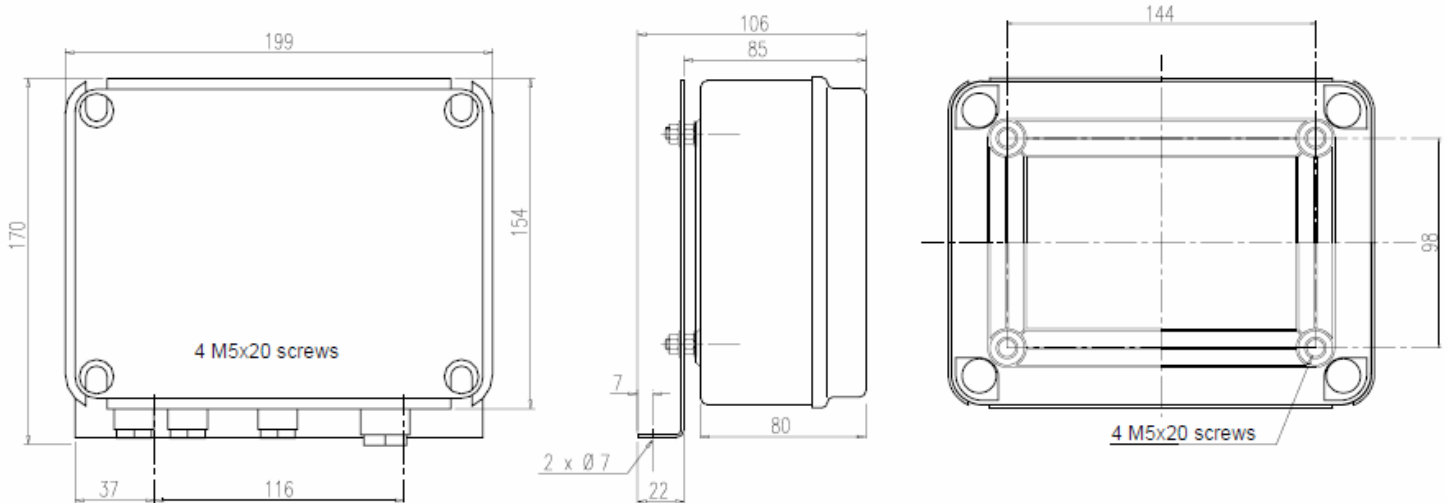
Fault check and display :

- cooling too long (adjustable from 0 to 240 min),
- cooling unit malfunction,
- agitator malfunction,
- voltage supply incorrect,
- temperature probe failure,
- status memorized before mains supply cutout,
- automatic agitator stopped when opening cover,
- direct switching of the cooling unit set upto 3 hp single-phase,
- immunity to EM radiation (transmitting and receiving),
- compliant with European electrical safety directives,
- optional washing function,
- parameters set without a terminal or console.

RL5 Electronic control unit

Microprocessor control unit for milk coolers

DIMENSIONS AND MOUNTING POINTS



TECHNICAL SPECIFICATIONS

- Voltage supply : 140V to 260V.
- Output relays :
 - washing : 8A / 250V / AC1 (optional)
 - agitation : 8A / 250V / AC1
 - cooling : 30A / 250V / AC1
- Display : three 20 mm LEDs.
- Temperature probe : CTN, 25 k Ω at 25°C.
- Cable length : 3 m or 7 m.
- Box dimensions : 199 x 154 x 80 mm.
- Protection rating : IP 55.
- Connections :
 - FAST-ON clip (6.3 x 0.8),
 - screw tag (probe).
- Storage temperature: from -30°C to +70°C.
- Operating temperature: from -20°C to +50°C.
- Relative humidity : Up to 95% (up to 100% possible with an optional tropicalized circuit board).

WP-1K-A05C ed. 09/04